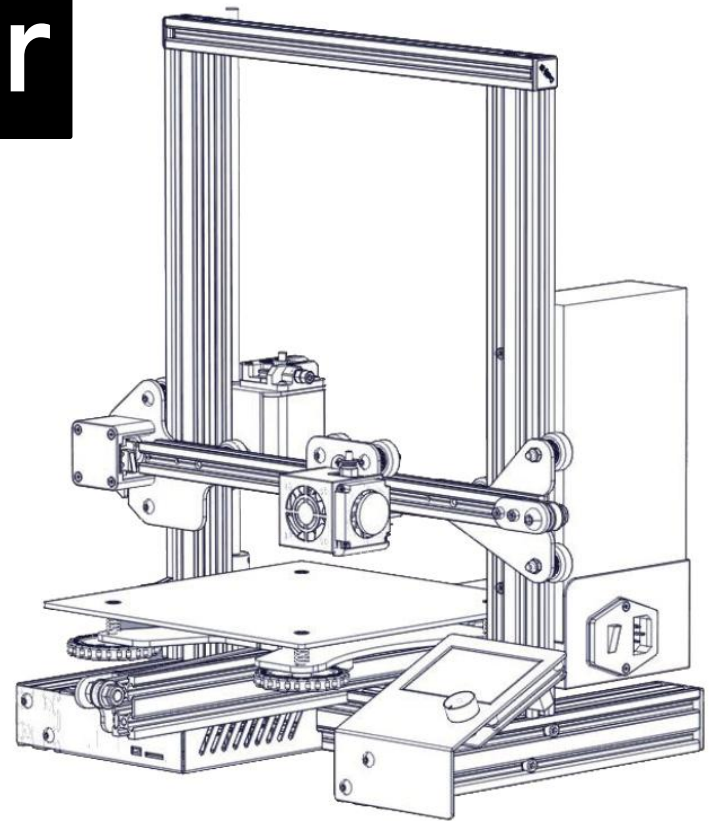




Ender-3 3D Printer

Instructions for assembly

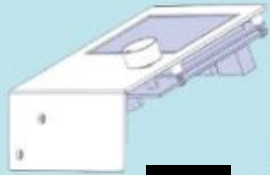
- ◆ This guide is for Ender-3 3D printer.
- ◆ Select the correct input voltage to match your local mains (230V or 115V).
- ◆ Because of software/hardware upgrades and model Differences, new revisions may not be listed in this guide.
- ◆ Please plug the Power cord into a three-hole power jack.
- ◆ Detailed instructions for use are available on the TF card.



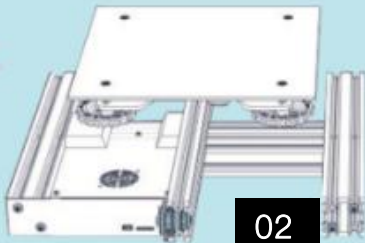
V.4.1

List 1

Assemblies



01



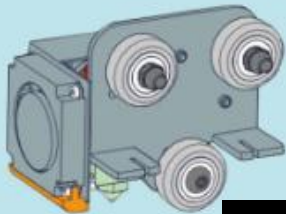
02



03



04



05



06



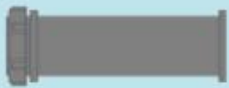
07



08



09



10



11



2PCS

12

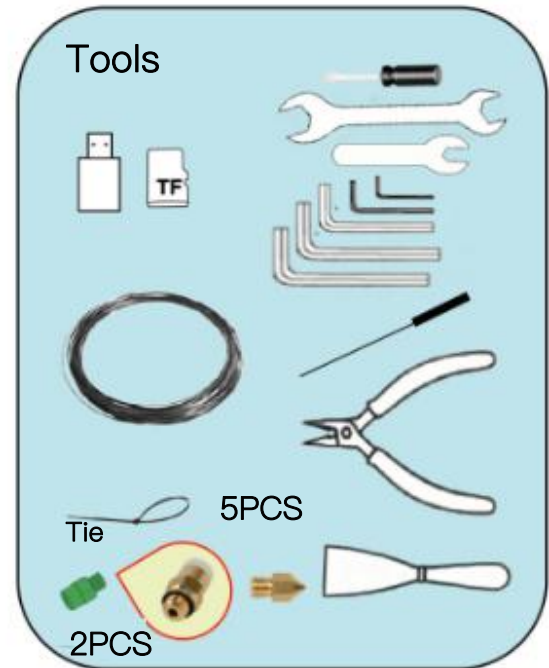
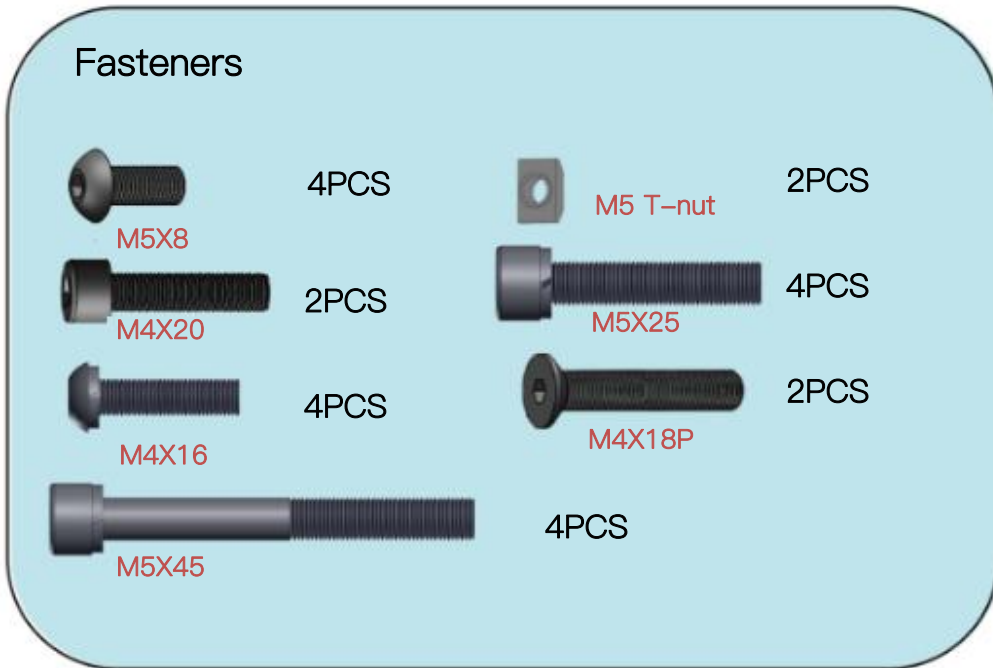
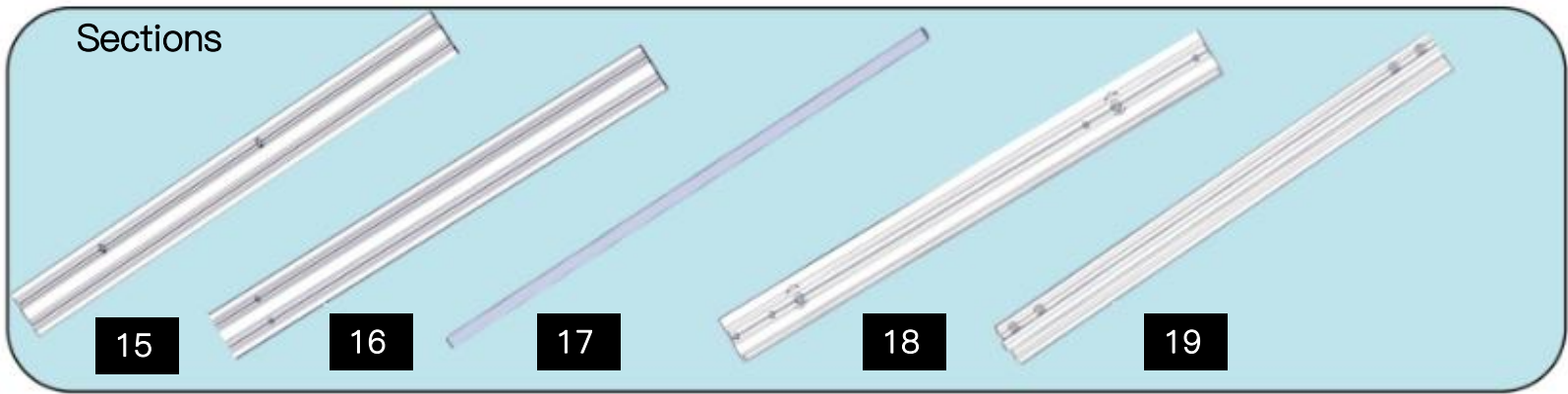


13

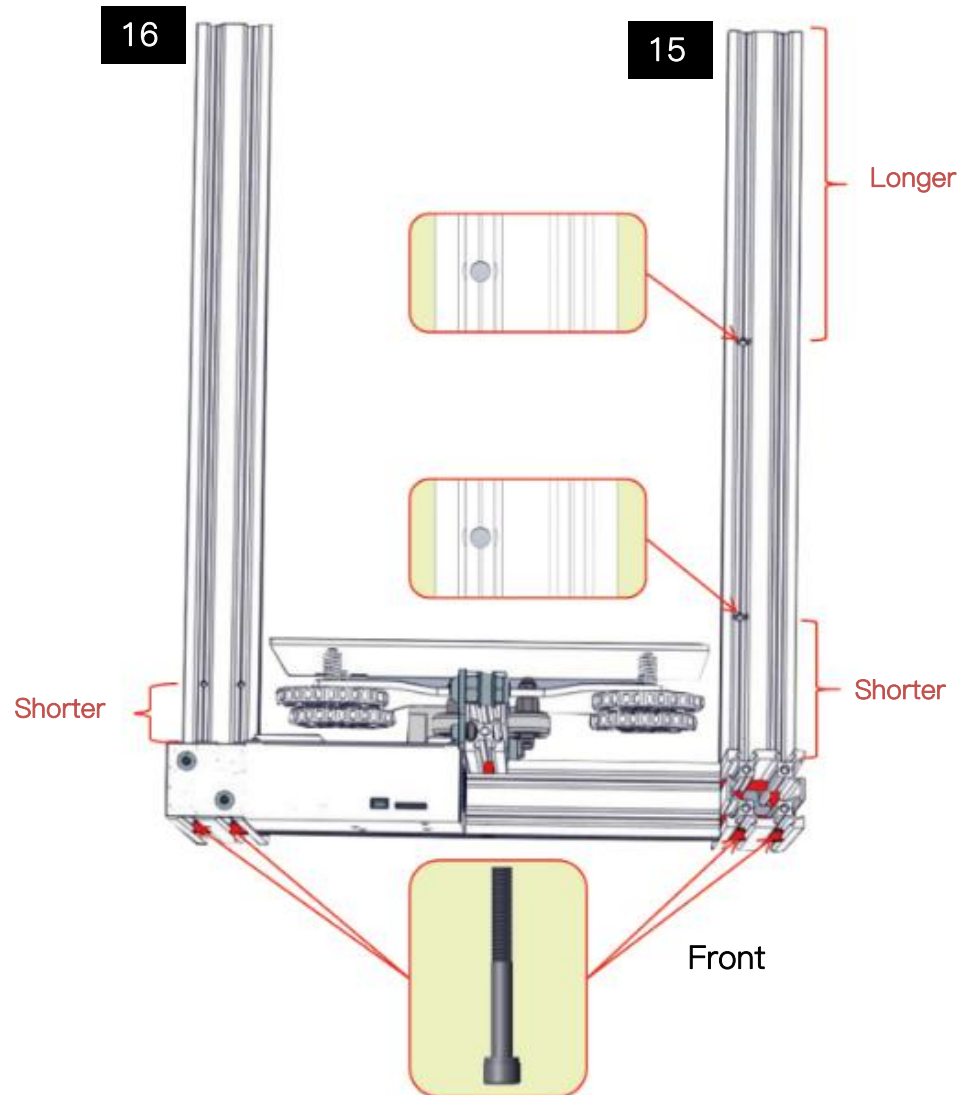
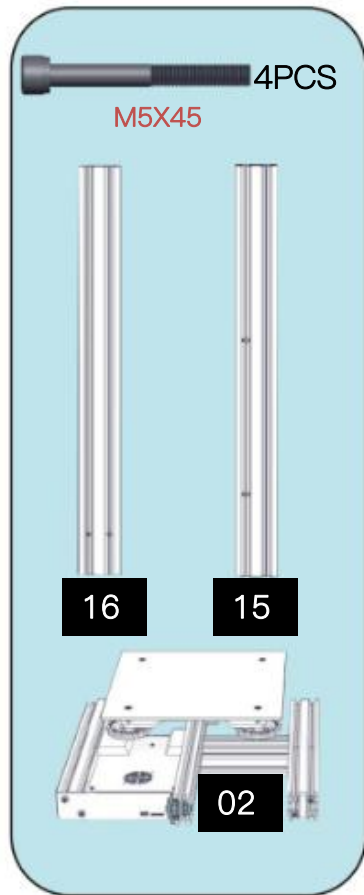


14

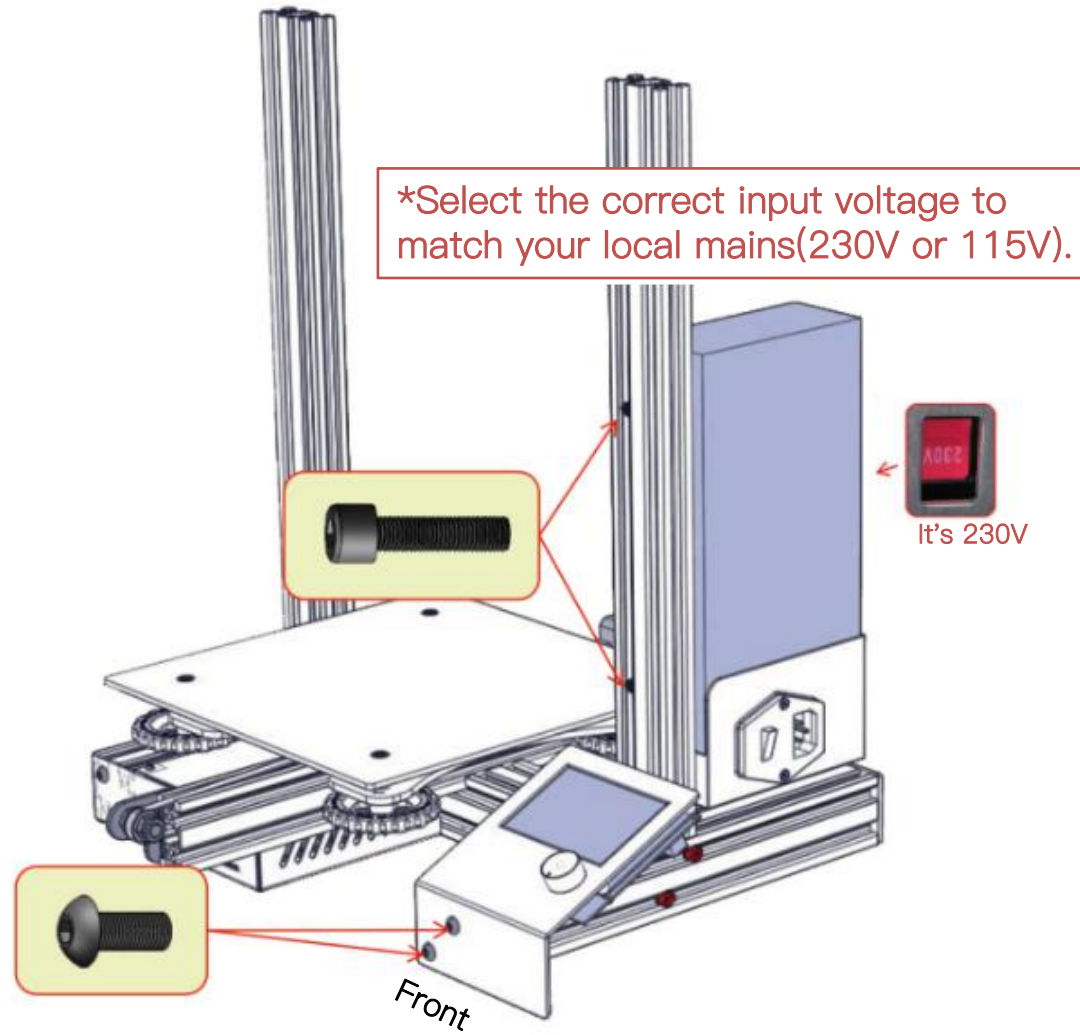
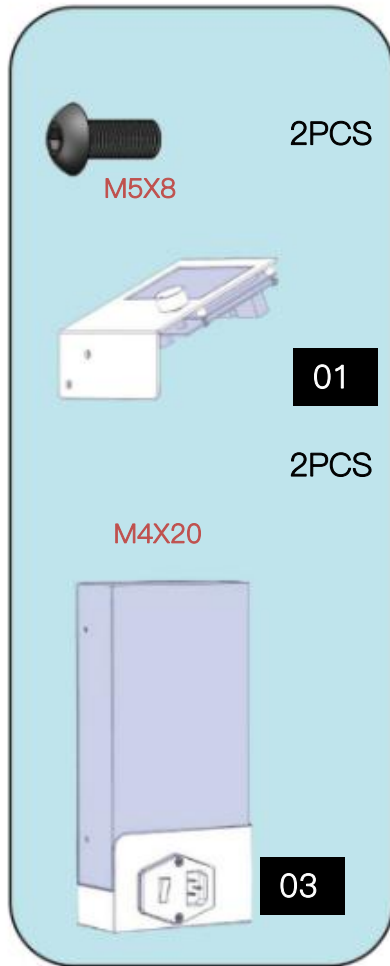
List 2



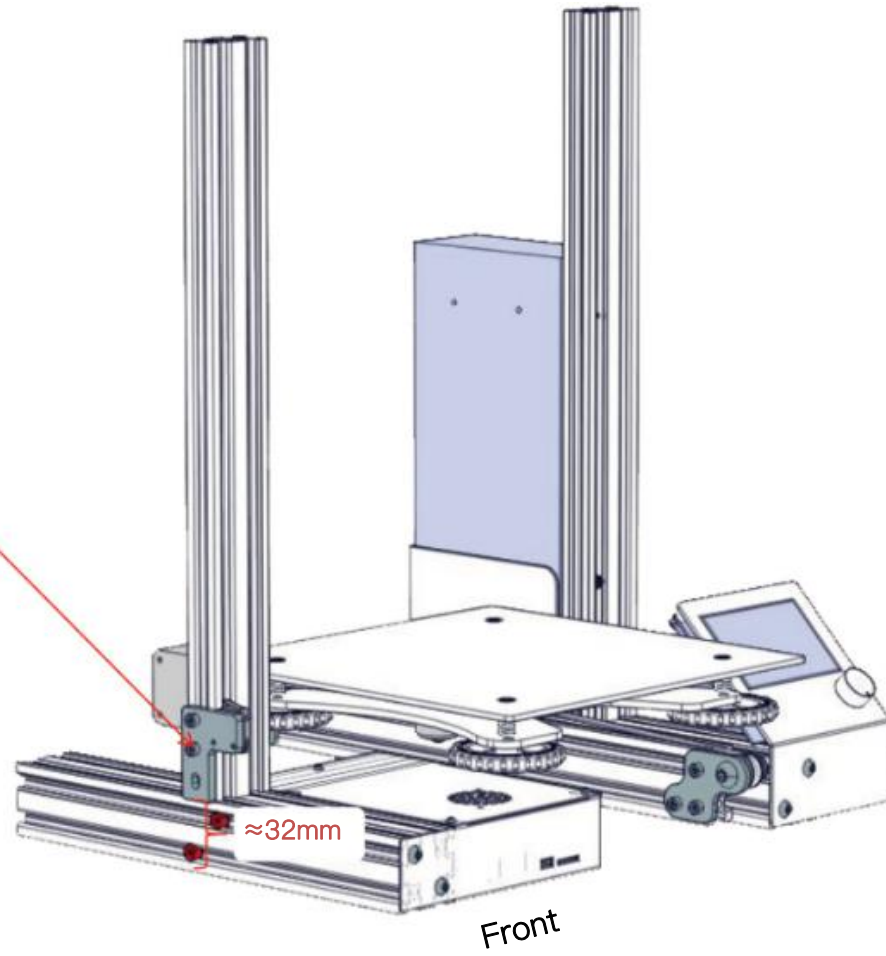
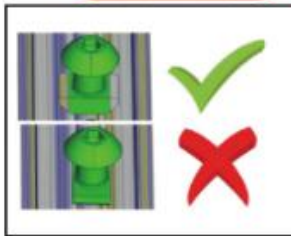
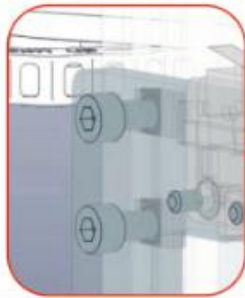
Step 1



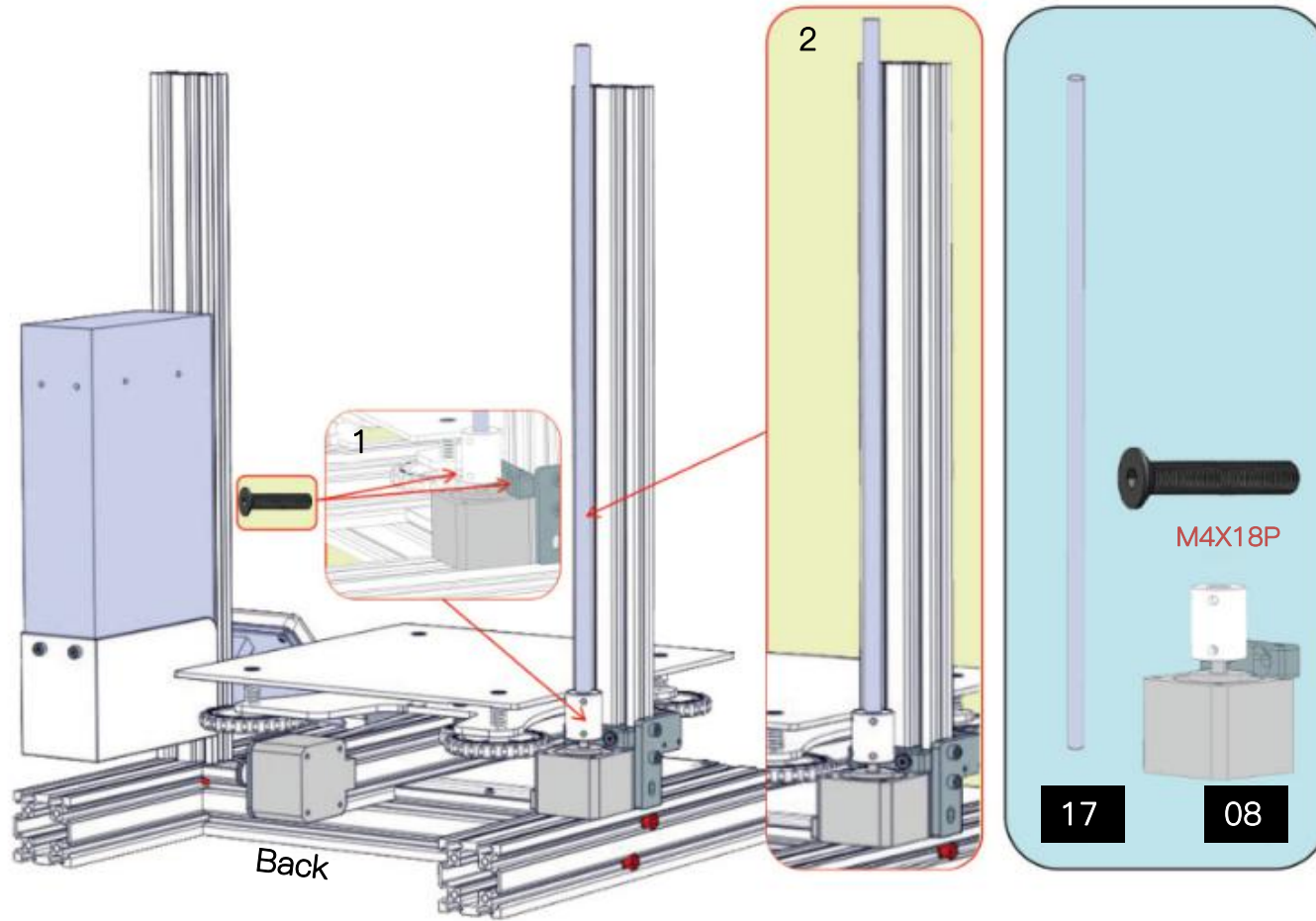
Step 2



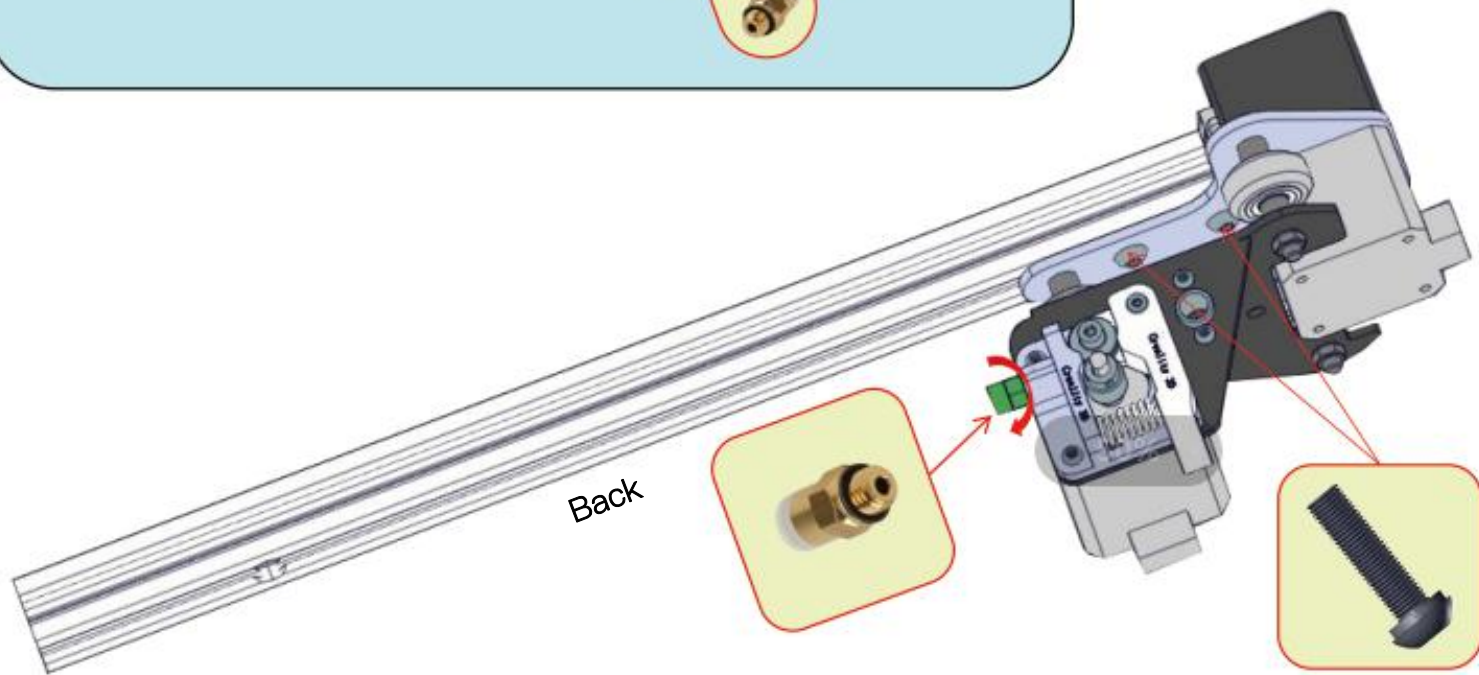
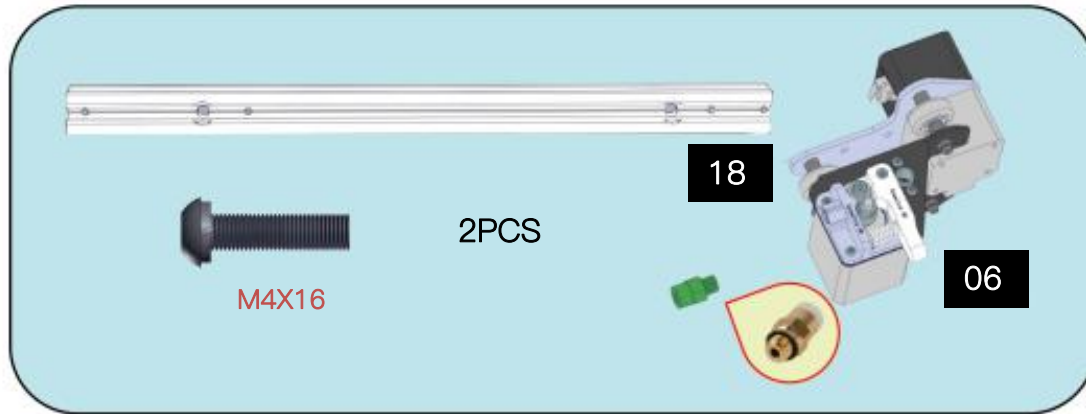
Step 3



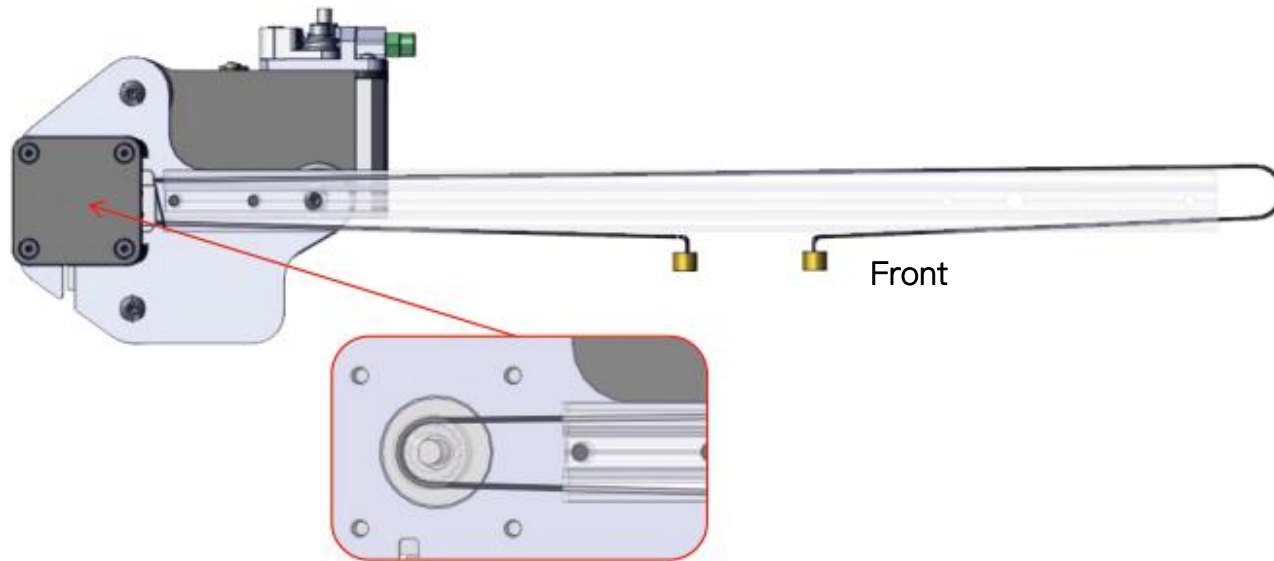
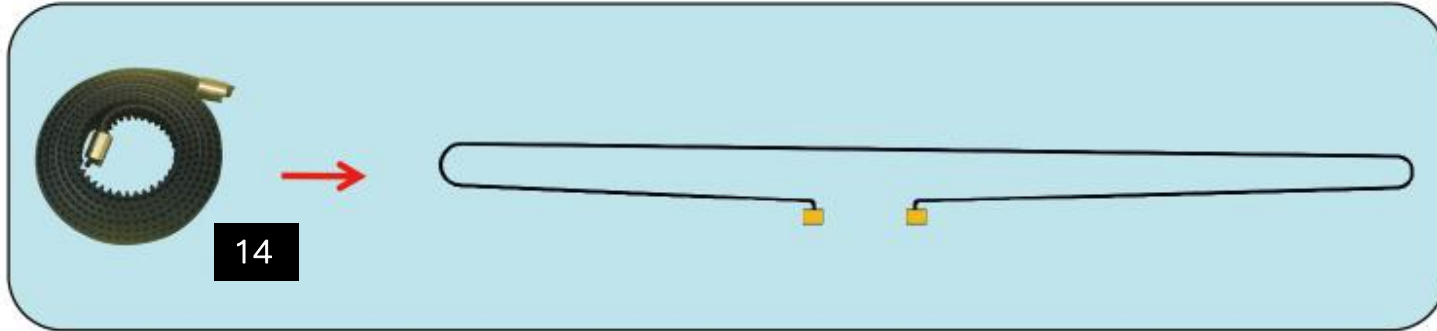
Step 4



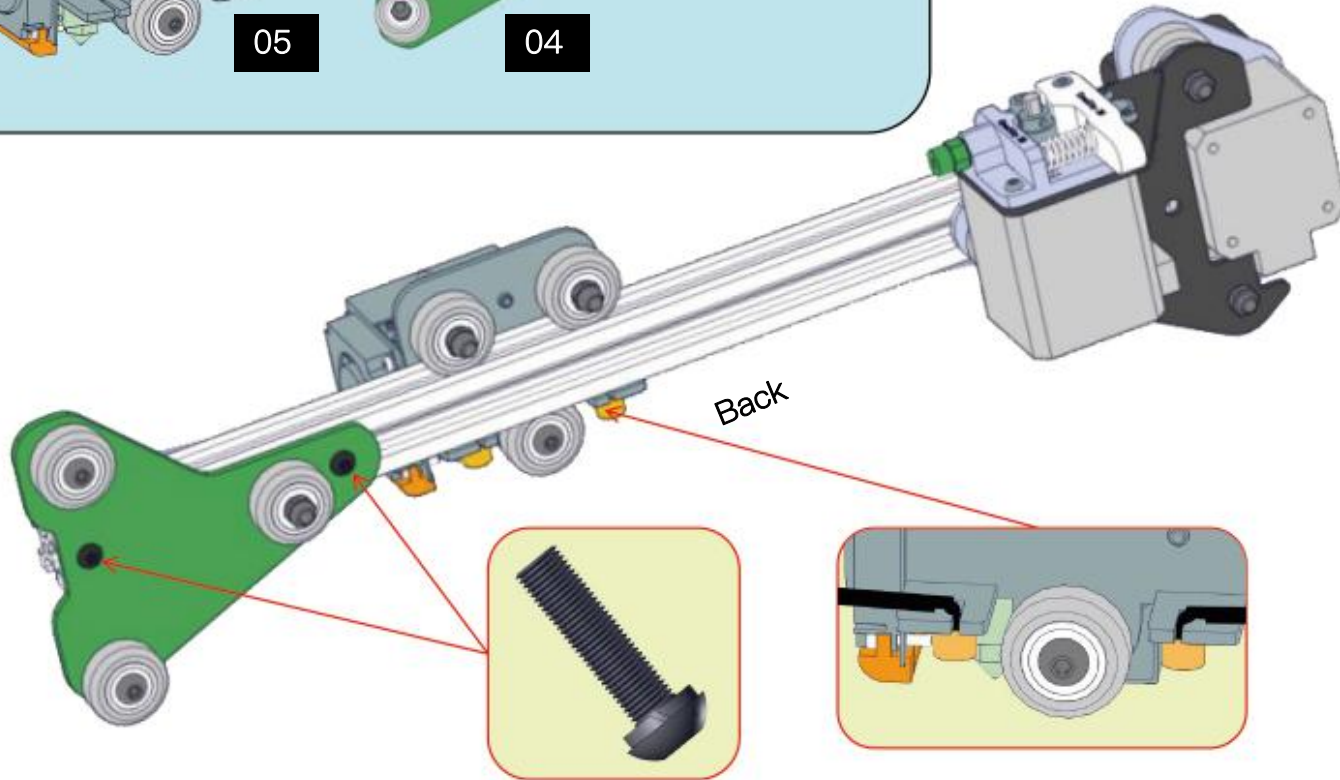
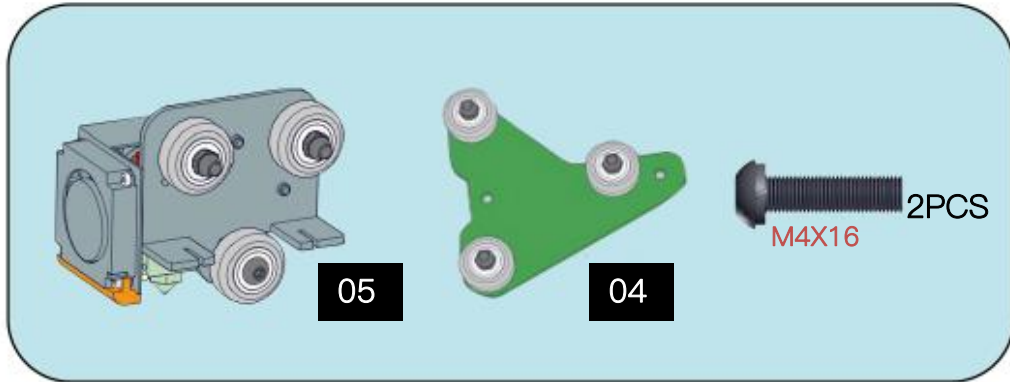
Step 5



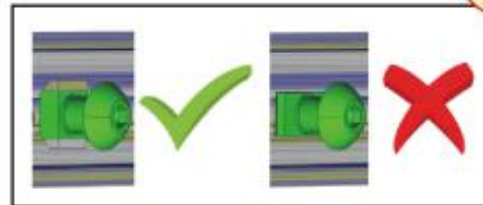
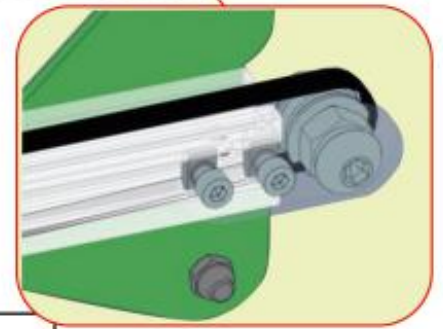
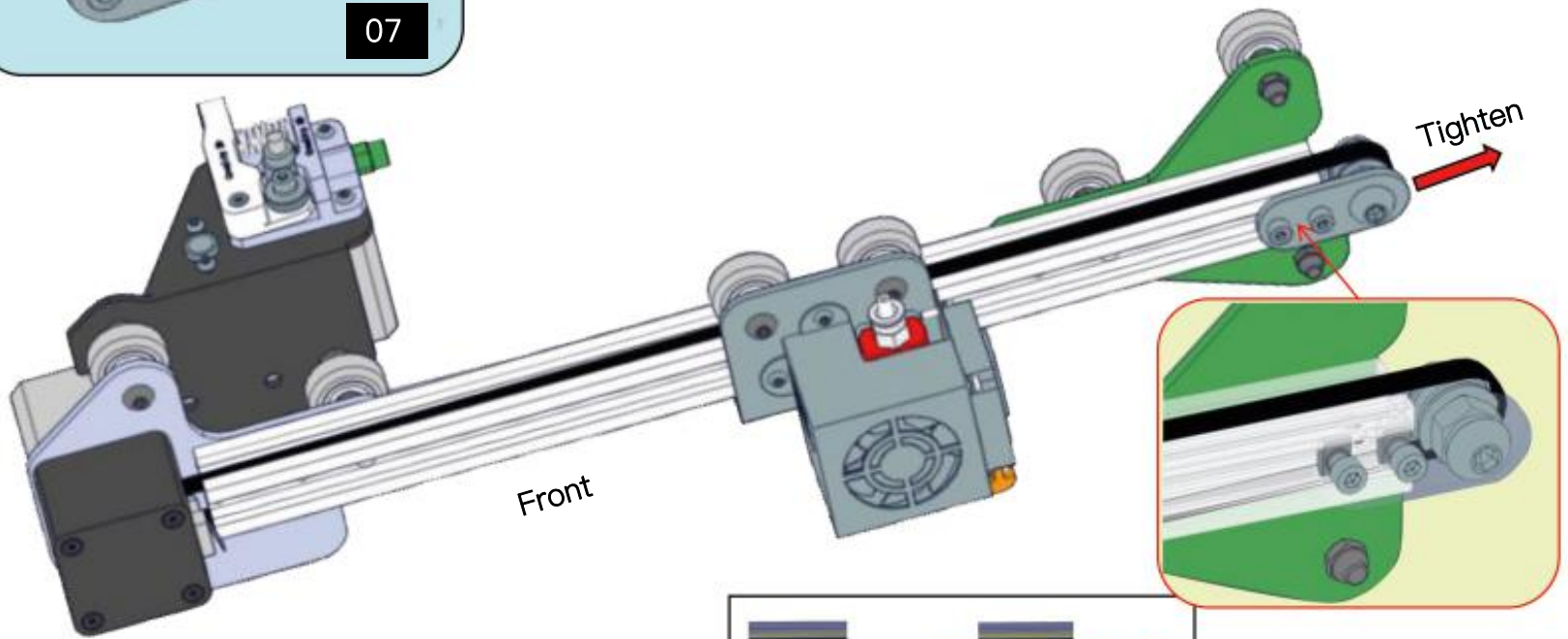
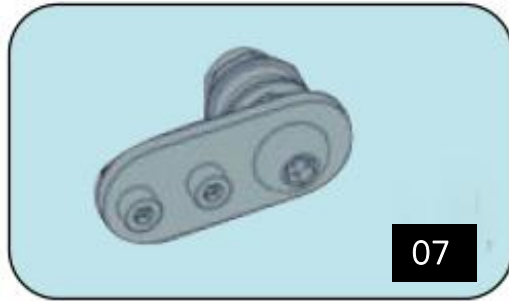
Step 6



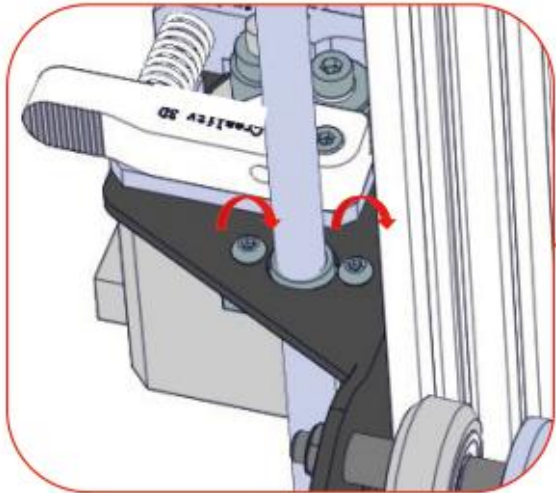
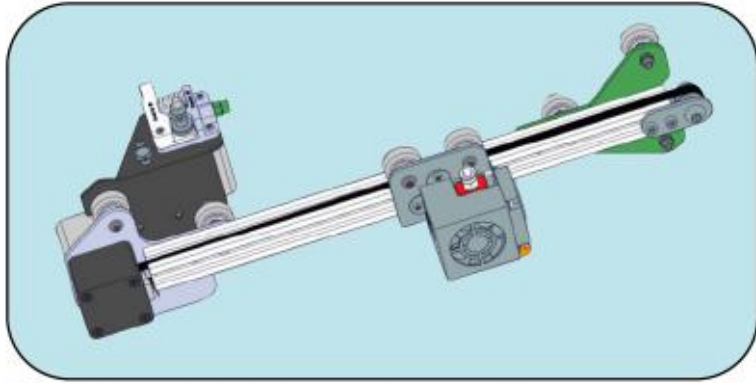
Step 7



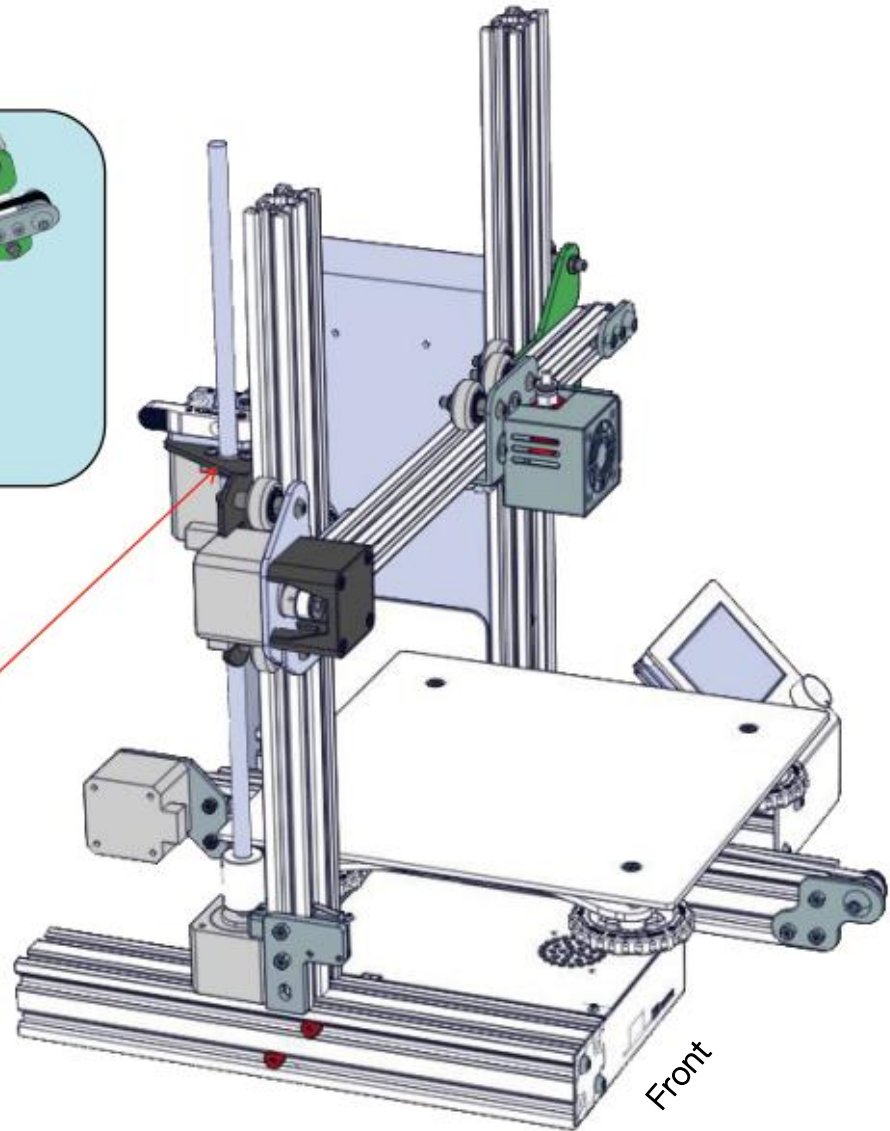
Step 8



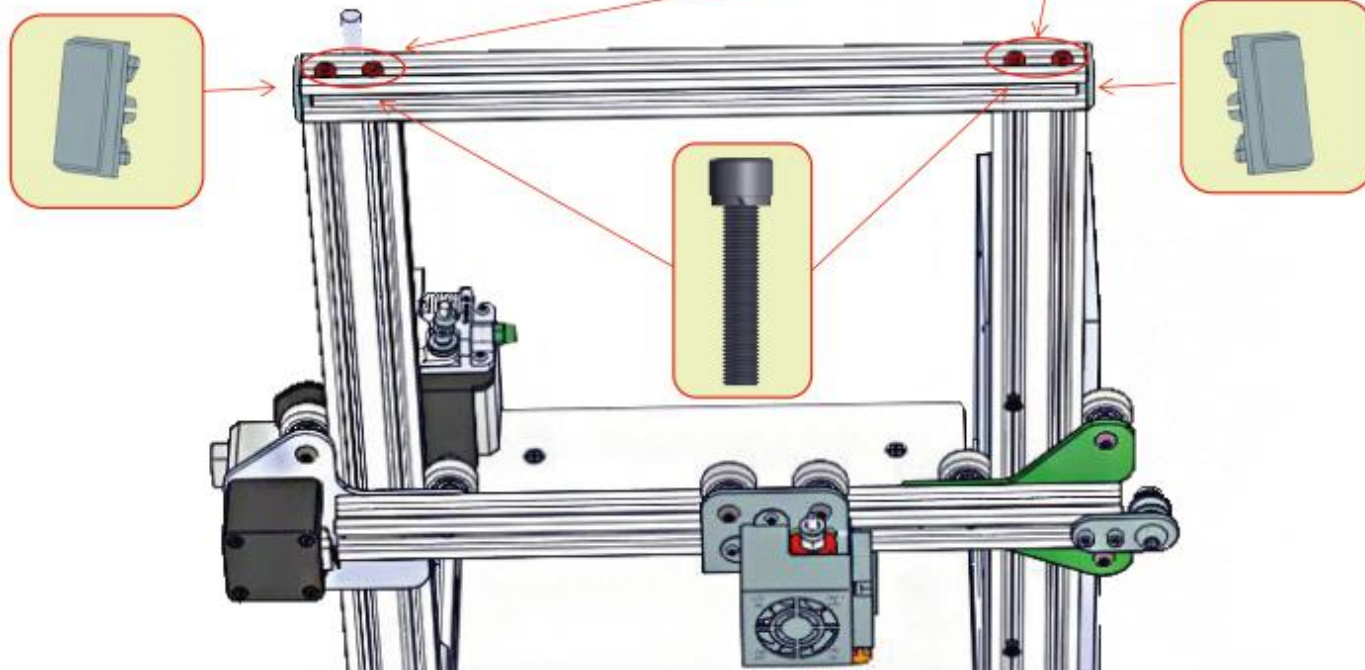
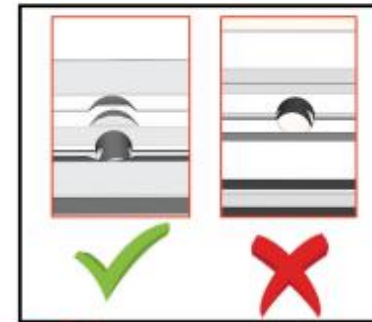
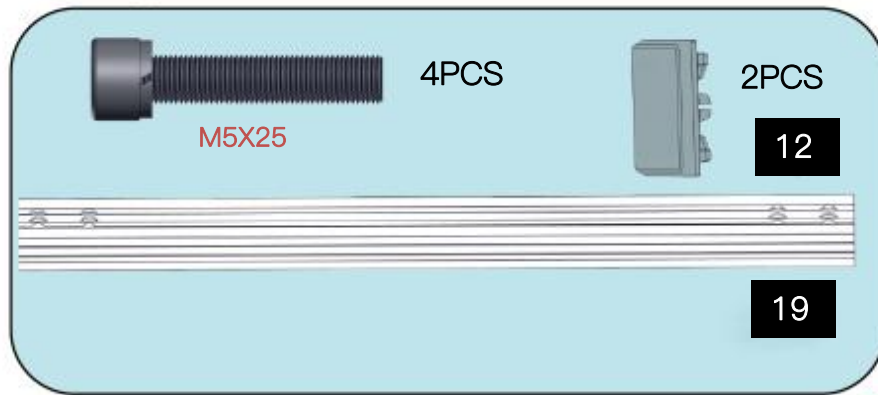
Step 9



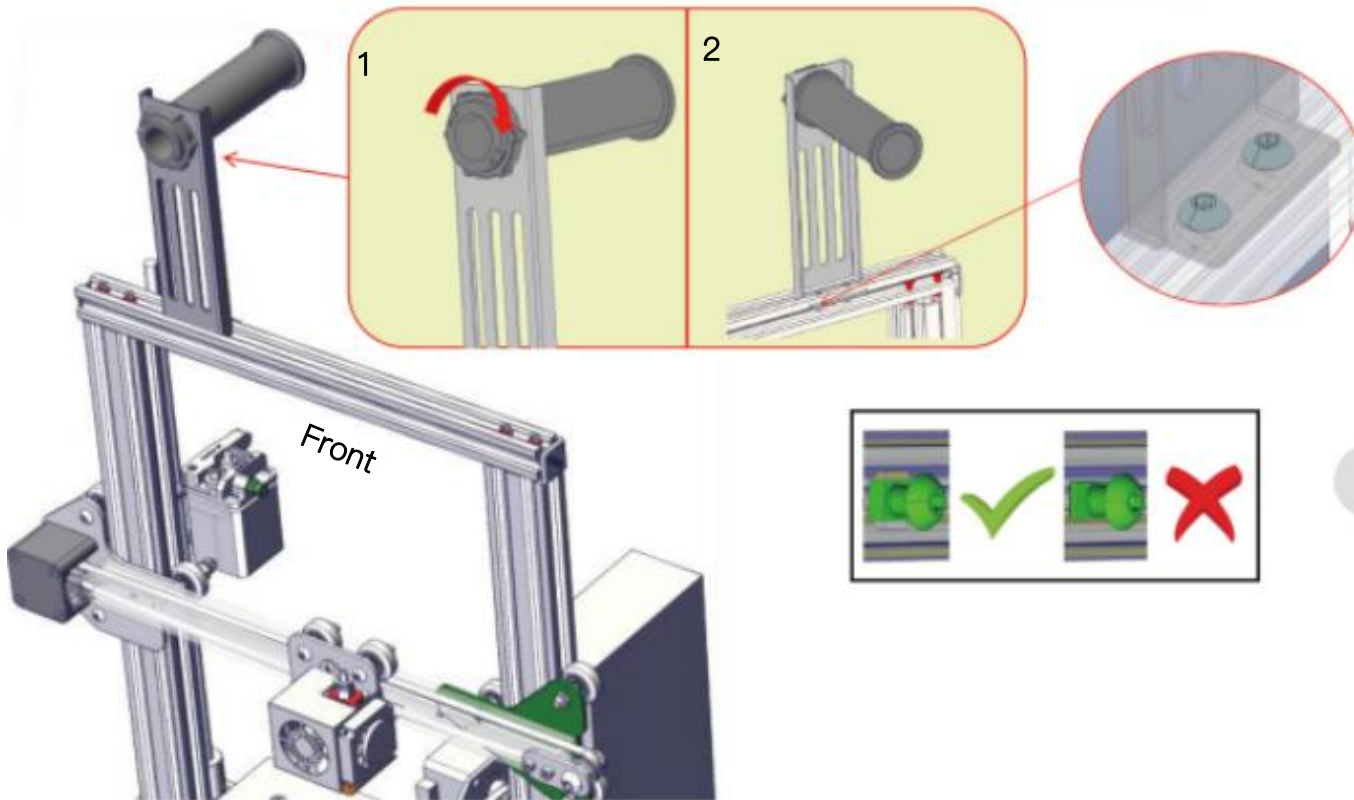
Don't tighten it too tight



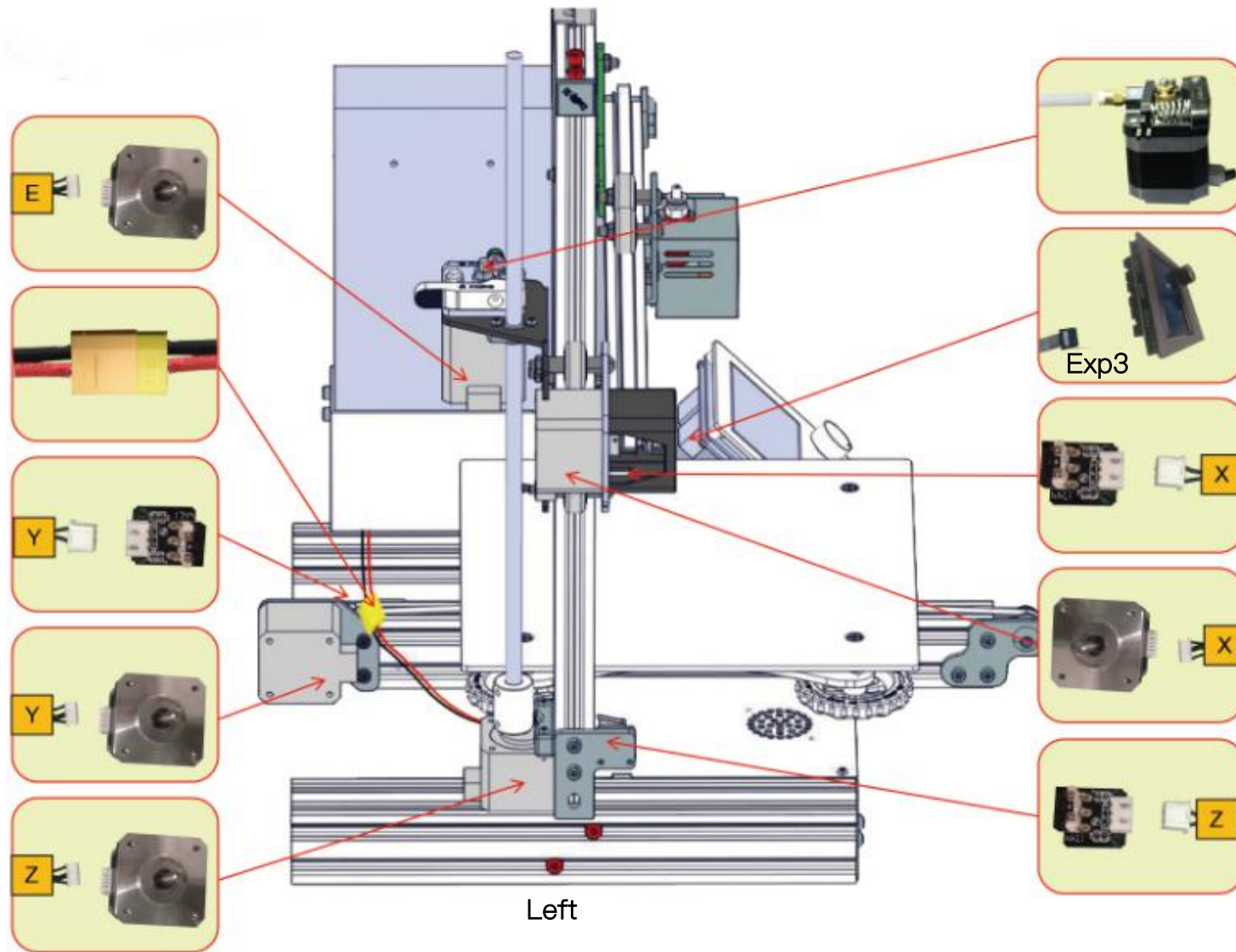
Step 10



Step 11



Step 12



Basic Parameters

Model	Ender-3	Working Mode	Online or TF card offline
Molding Tech.	FDM	File Format	STL,OBJ,AMF
Printing Size	220*220*250mm	Slice Software	Cura, Repetier-Host ,Simplify3D
Printing Speed	≤180mm/s, Normal 30-60mm/s	Power Supply	Input:AC 220-240V 50HZ Output:DC 24V
Precision	±0.1mm	Total Power	270W
Slice Thickness	0.1mm-0.4mm	Filament	1.75mm PLA
Nozzle Diameter	Standard 0.4mm	Operating System	Windows XP/Vista/7/10 MAC、Linux
Nozzle Number	1	Language	English
Nozzle Temp.	≤250°C	Resume Print	YES
Bed Temp.	≤100°C	Filament Detector	NO



Facebook QR code

SHENZHEN CREALITY 3D TECHNOLOGY CO.,LTD.

11F & Room 1201,Block 3,JinChengYuan,Tongsheng Community,

Dalang,Longhua District,Shenzhen,China,518109

Official Website:www.creality3d.cn

Tel:+86 755-85234565

E-mail:info@creality3d.cn cs@creality3d.cn

